



mermaid medical®

## MaxBlate™ Microwave Ablation System

A New Portable Generation

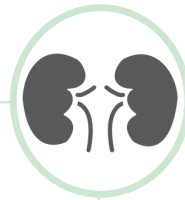
XphereTip® - ThyTip™ - SureTip® Antennas



Liver



Thyroids



Kidneys



Lungs

## About Mermaid Medical Group

Mermaid Medical Group is a privately owned company established in 2007. With our Nordic roots and headquarters in Denmark, we value cooperation, helpfulness, and openness.

We develop, manufacture, and distribute medical devices to hospitals and end users across Europe, the U.S., and Asia.

We primarily work within solutions to diseases in the vascular system as well as other devices used in interventional radiology.

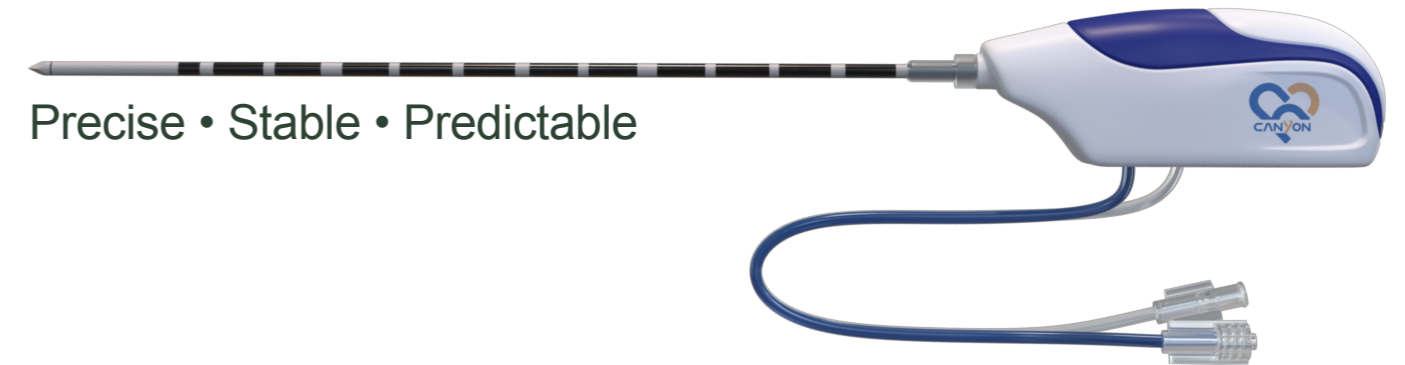
We strive to be the preferred partner for manufacturers as well as hospitals and healthcare professionals so that together we can help even more patients.

## About CANYON Medical

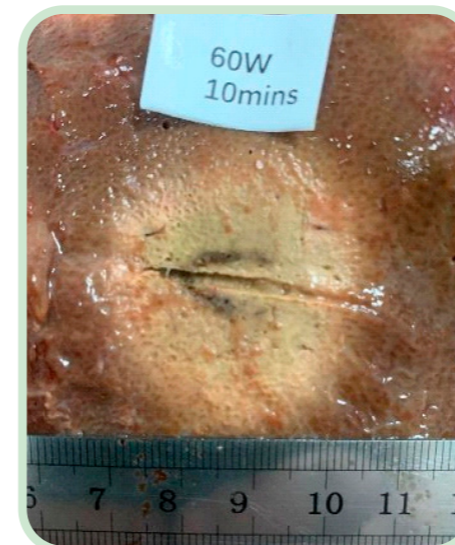
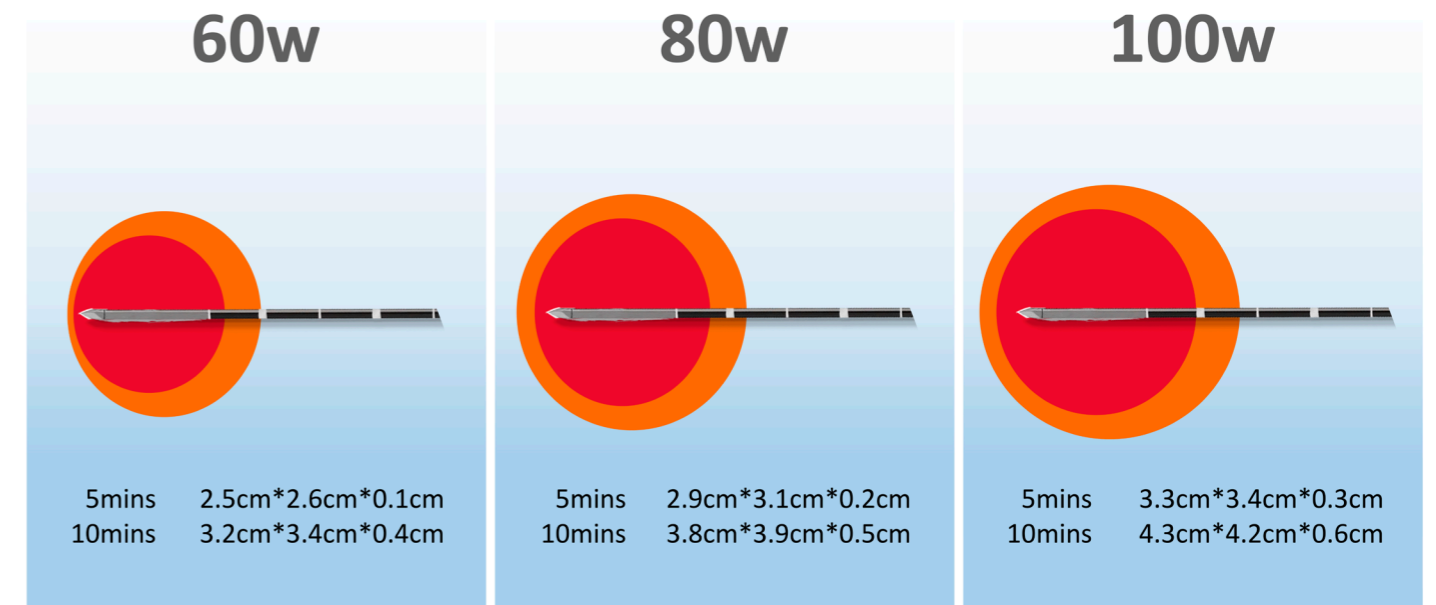
CANYON Medical is a Chinese company founded in 1986 and based in Nanjing. From here, they manufacture a range of microwave equipment of their own design, specializing in microwave ablation, which they have been working with for more than 20 years. Over 200,000 cases in China alone have been successfully completed with CANYON Medical's ablation system.



20 years with over 200,000 successful cases



Precise • Stable • Predictable



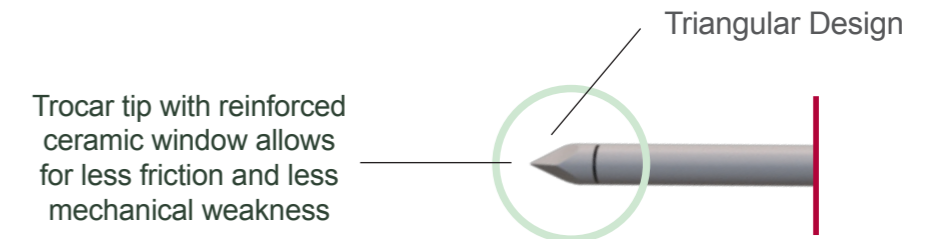
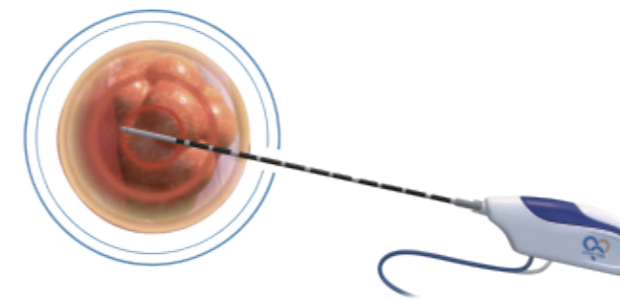
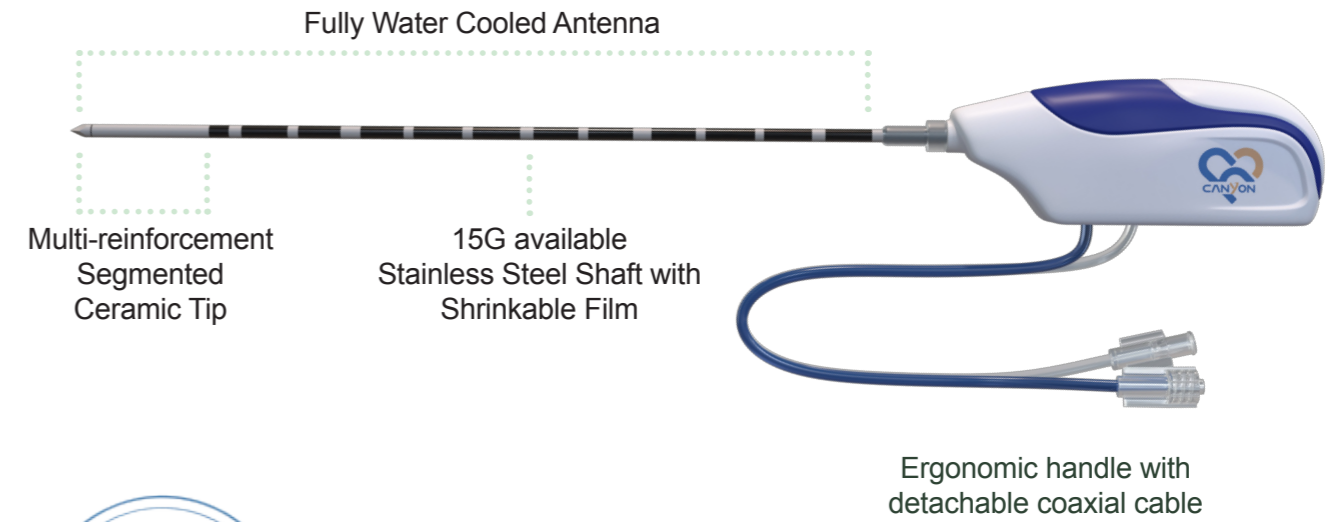
**Note:** Coagulative performance by 14G Xpheretip® carried out in ex-vivo porcine liver. The actual ablation dimensions in in-vivo tissues may differ from such static laboratory results.





**Features:**

- A new portable solid state system to ensure stable microwave output
- An interactive and sensitive touchscreen with adjustable power, time, and temperature which makes it very user-friendly
- Continuous and pulsed modes are available for different clinical options
- Innovative interface which allows the user to monitor and provides instant feedback for safe use



**Features:**

- Patented radiation control technology and fully cooled antenna that guarantees an ultraspherical shape of the ablation zone
- Enhanced product safety that gives the benefit of strength and stiffness
- New coating which gives the user a perfect and smooth puncture movement, also avoiding tissue adhesion in an efficient way
- Echogenic design that gives the user enhanced visibility
- Available in 15G in different lengths

Efficient & Controllable



Ergonomic handle with detachable coaxial cable

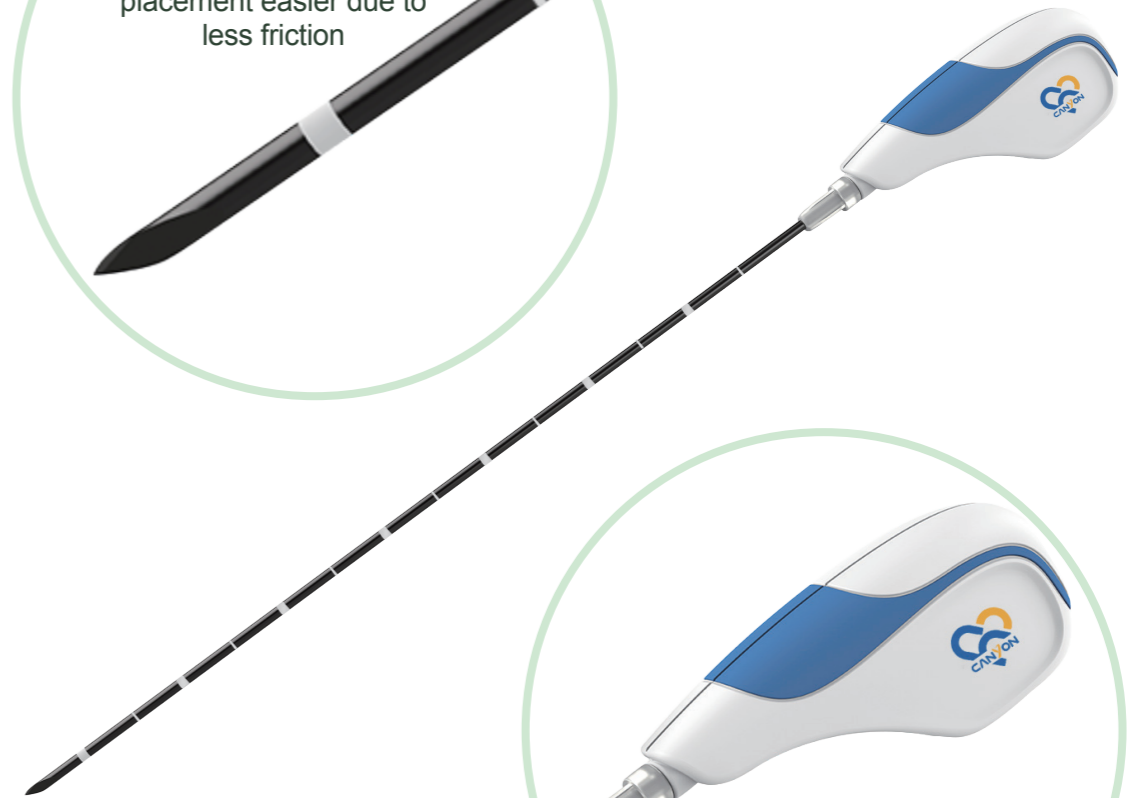


**Features:**

- 3mm active tip optimized for the ablation of superficial and small thyroid with a uniform and well controlled result
- Excellent echogenicity and tip visibility for accurate guidance to the target area under ultrasound
- Internally water cooled and operate by moving shot to avoid tissue overheating
- As thin as 18G, less invasive



Sharp needle tip and thin diameter makes the placement easier due to less friction

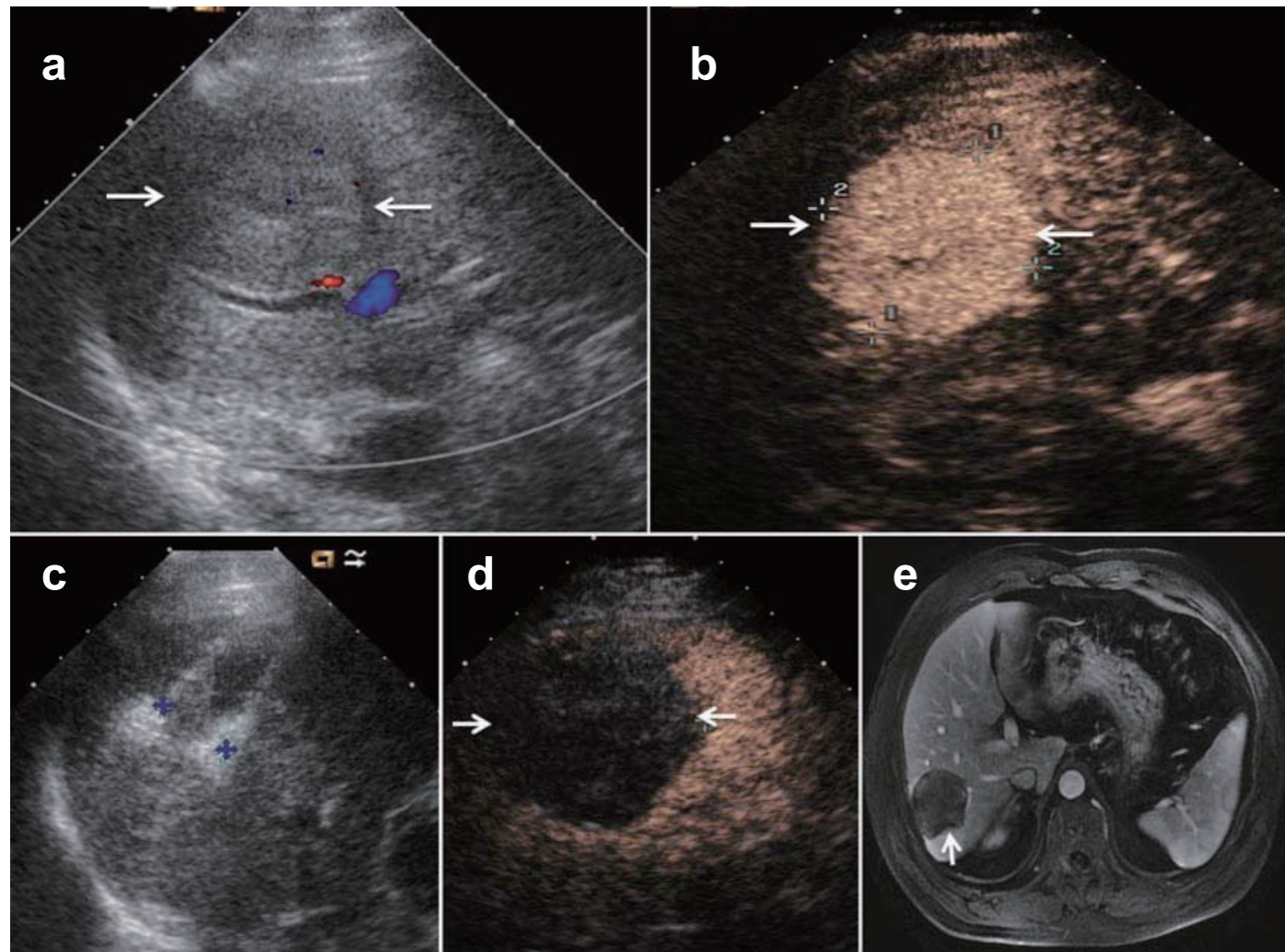


Allows for easy handling of antenna and flexibility regardless of image modality

**Features:**

- High performance material to ensure better connection and strength
- Unique shaft coating material to avoid tissue adhesion
- Sharp needle tip and thin diameter, making it less invasive
- Internally water cooled antenna with intelligent temperature control
- Signal enhancement design for better visibility under CT or ultrasound guidance
- High efficiency detachable cable, unique enhanced connection with the antenna





**Benefits of Microwave Ablation**

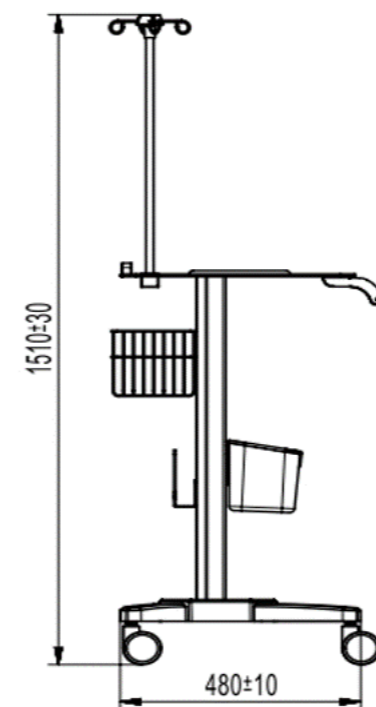
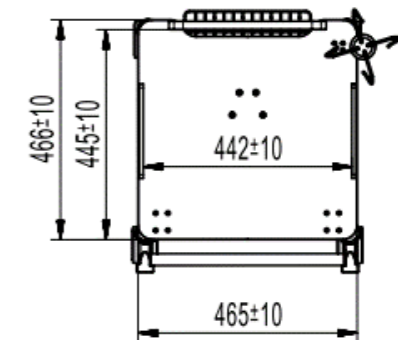
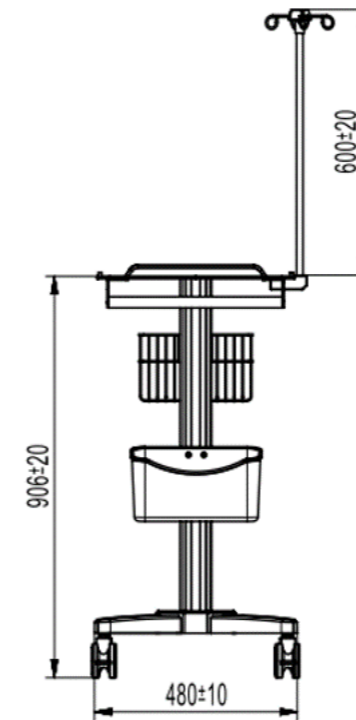
Microwave ablation can generate larger ablation zones in shorter time with less sensibility to heat sink effect. Moreover, MWA radiates all biological tissues, such as bone, lung, charred or desiccated tissues. Additionally, multiple antennas can be placed to treat simultaneously for large tumors or multifocal lesion. With CANYON New Generation Microwave Ablation System, the achieved ablation zone can be uniform, homogeneous, and predictable. In addition, a choice of antennas and customized settings provides the user with unique opportunities for clinical diversity during treatment.

- (a) Preablation conventional ultrasound (US) scan shows a hypoechoic lesion with blood supply (arrows).
- (b) Contrast-enhanced US before MWA shows tumor enhancement in arterial phase with the size of 5.5 x 4.7 cm. (arrows).
- (c) Conventional US shows two microwave antennas (mark) placed in the tumor.
- (d) Contrast-enhanced US shows no enhancement of the ablation zone at 12 months after treatment (arrows)
- (e) MRI scan obtained 21 months after ablation shows hypoattenuating ablation zone (arrow) without enhancement.

**Above statements refers to the following publication**

P. Liang et al. (eds.), Microwave Ablation Treatment of Solid Tumors, DOI 10.1007/978-94-017-9315-5\_4, © Springer Science+Business Media Dordrecht 2015.

**Custom made trolley for use with MaxBlate™ MWA Generator**



# Ordering and Specifications

## MaxBlate™ Microwave Ablation Generator

<b>Ref</b>	<b>KY-2000A</b>
<b>Frequency</b>	<b>2450 Mhz</b>
<b>Display</b>	<b>7 inch Touchscreen</b>
<b>Energy Output</b>	<b>5-100W</b>
<b>Time Setting</b>	<b>1-30 Minutes</b>
<b>Working Power</b>	<b>100V-240V 50-60 Hz</b>
<b>Weight</b>	<b>12 kg</b>
<b>Size</b>	<b>46x40x18cm</b>



## XphereTip® Antennas

Ref	Diameter	Active Tip	Total Length
KY-2450B-QT4	15G	25 MM	100 MM
KY-2450B-QT5	15G	25 MM	150 MM
KY-2450B-QT6	15G	25 MM	200 MM
KY-2450B-QT7	15G	25 MM	250 MM
KY-2450B-QT8	15G	25 MM	300 MM



## ThyTip™ Antennas

Ref	Diameter	Active Tip	Total Length
KY-2450B-5	16G	3 MM	100 MM
KY-2450B-13	16G	3 MM	70 MM
KY-2450B-3	17G	3 MM	100 MM
KY-2450B-4	18G	3 MM	70 MM



## MWA Co-axial Cable - XphereTip® Antennas

Ref.	Length	Specifications
KY-B-2B-B-200	2000 MM	Blue

## MWA Co-axial Cable - ThyTip™ & SureTip® Antennas

Ref.	Length	Specifications
KY-B-2B-G-280	2800 MM	Grey

## SureTip® Antennas

Ref	Diameter	Active Tip	Total Length
KY-2BAC-24A	15G	11 MM	100 MM
KY-2BAC-24B	15G	11 MM	150 MM
KY-2BAC-24D	15G	11 MM	200 MM
KY-2BAC-24F	15G	11 MM	250 MM



## Set of SureTip® Antennas and Co-axial Cable

Ref	Diameter	Active Tip	Total Length
KY-2450B-T4	15G	11 MM	100 MM
KY-2450B-T6	15G	11 MM	150 MM
KY-2450B-T7	15G	11 MM	200 MM
KY-2450B-T10	15G	11 MM	250 MM
KY-2450B-T1	16G	11 MM	100 MM
KY-2450B-T2	16G	11 MM	150 MM
KY-2450B-T3	16G	11 MM	200 MM
KY-2BBC-24D	16G	11 MM	300 MM
KY-2450B-T5	18G	11 MM	100 MM
KY-2450B-T11	18G	11 MM	150 MM
KY-2450B-T13	18G	11 MM	200 MM

## Custom made trolley for use with MaxBlate™ MWA Generator

Ref.	Specifications
KY-NPTC-1-01	Trolley for use with MaxBlate™ generator

Mermaid Medical Group

Frydensbergvej 25

[www.mermaidmedical.com](http://www.mermaidmedical.com) • [customer@mermaidmedical.com](mailto:customer@mermaidmedical.com)

Tel: +45 47 10 85 70 • Fax: +45 47 10 85 71

**Netherlands**

Tel: +31 85 060 8160

[info@mermaidmedical.nl](mailto:info@mermaidmedical.nl)

[www.mermaidmedical.com](http://www.mermaidmedical.com)

**Spain**

Tel: +34 925 717 378

Fax: +34 925 049 112

[customer@mermaidmedical.es](mailto:customer@mermaidmedical.es)

[www.mermaidmedical.com](http://www.mermaidmedical.com)

**United Kingdom**

Tel: +44 (0) 1704 560493

Fax: +44 (0) 1704 551182

[customer@mermaidmedical.co.uk](mailto:customer@mermaidmedical.co.uk)

[www.mermaidmedical.com](http://www.mermaidmedical.com)